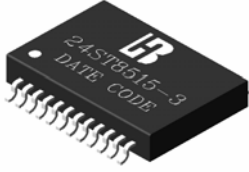


10/100 BASE-T TRANSFORMER

P/N: 24ST8515-3 DATA SHEET

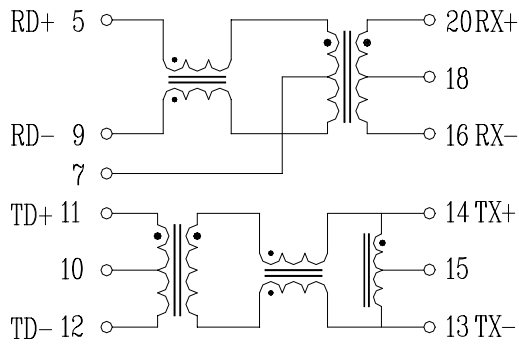
Feature



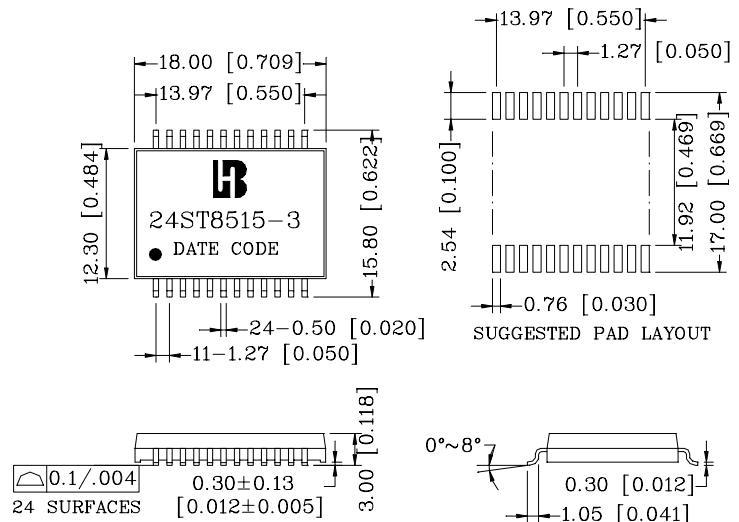
- Designed for 10/100 MB/s transmission over UTP-5 cable.
- Cable interface for isolation and low common mode Emissions.
- 24-PIN SMD package, pick and place compatible.
- Operating temperature range: 0°C to +70°C.
- Storage temperature range: -25°C to +125°C.

Electrical Specifications @ 25°C										
Part Number	Turns Ratio (±5%)		Primary OCL TX/RX(uH Min) @100KHz/0.1Vrms with 8mA/ DC Bias				L.L (uH Max)	C _{WV} (pF Max)	Rise Time (10-90%) nS TYP	Voltage Isolation (Vrms)
	TX	RX								
24ST8515-3	1CT:1	1CT:1CT	350				0.6	28	2.5	1500
Continue										
Part Number	Insertion Loss (dB Max)	Return Loss (dB Min)					Cross talk Attenuation (dB Min)		DCMR TX/RX(dB Min)	
		0.3-100MHz	30MHz	40MHz	50MHz	60MHz	80MHz	0.3-60MHz	60-80MHz	0.3-60MHz
24ST8515-3	-1.15	-16	-14	-13.5	-13	-12	-40	-30	-35/-30	-35/-30

Schematic



Mechanical



Units: mm[Inches] Tolerance: xx.x0±0.25[0.010]
0.xx±0.05[0.002]